

EMISSION CONTROL INFORMATION

CONTENTS

EMISSION CONTROL CARBURETOR COMPONENTS	9- 1
EVAPORATIVE EMISSION CONTROL SYSTEM	9- 2
CANISTER HOSE ROUTING	9- 3
PAIR SYSTEM DIAGRAM	9- 4
PAIR SYSTEM HOSE ROUTING	9- 5

9-1 EMISSION CONTROL INFORMATION

EMISSION CONTROL CARBURETOR COMPONENTS

RF600R motorcycles are equipped with precision, manufactured carburetors for emission level control. These carburetors require special mixture control components and other precision adjustments to function properly.

There are several carburetor mixture control components in each carburetor assembly. Three (3) of these components are machined to much closer tolerances than standard machined carburetor jets. These three (3) particular jets—MAIN JET, NEEDLE JET, PILOT JET—must not be replaced by standard jets. To aid in identifying these three (3) jets a different design of letter and number are used. If replacement of these close tolerance jets becomes necessary, be sure to replace them with the same type close tolerance jets marked as in the examples shown below.

The jet needle is also of special manufacture. Only one clip position is provided on the jet needle. If replacement becomes necessary the jet needle may only be replaced with an equivalent performing replacement component. Suzuki recommends that Genuine Suzuki Parts be utilized whenever possible for the best possible performance and durability.

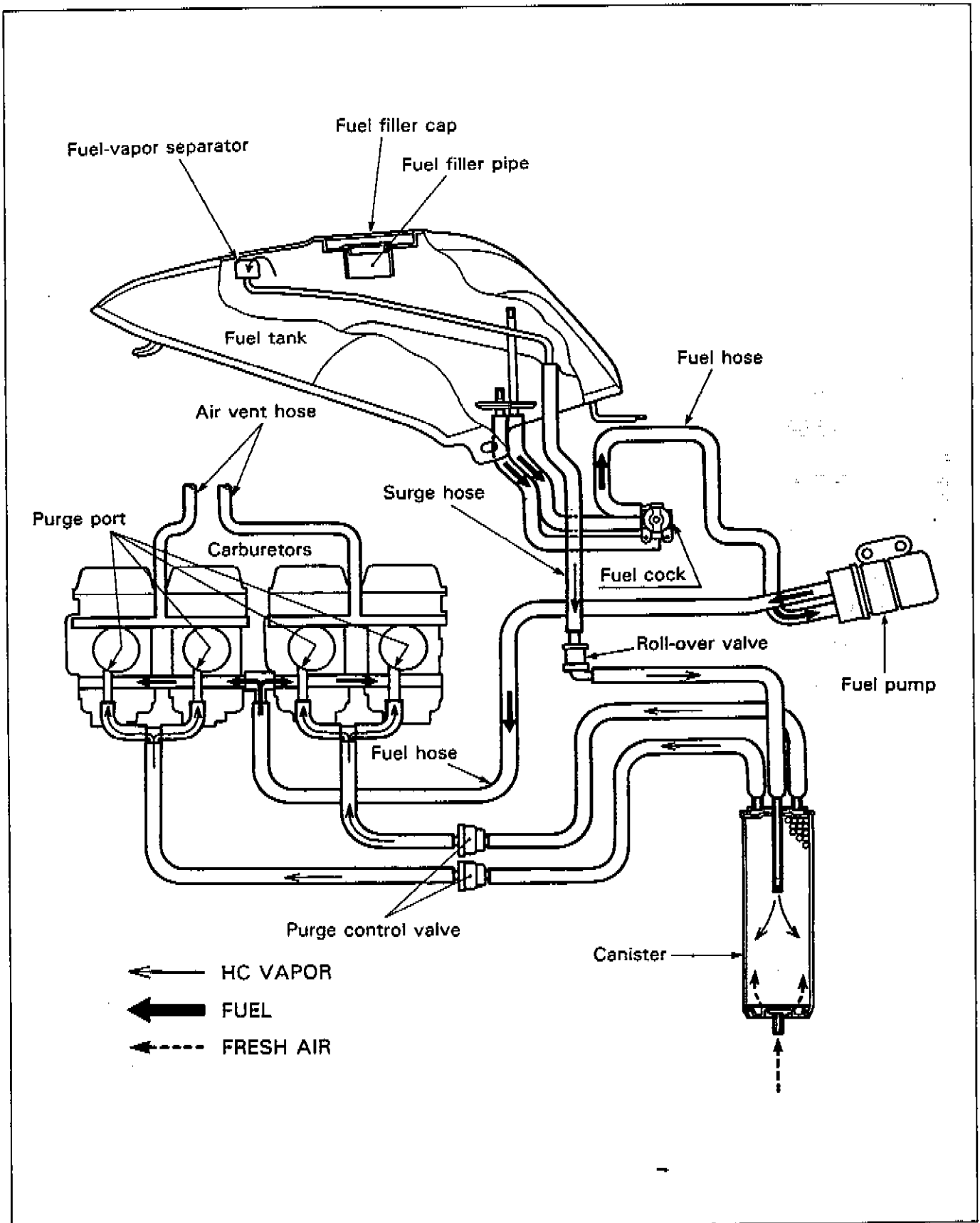
Conventional Figures Used on Standard Tolerance Jet Components	1	2	3	4	5	6	7	8	9	0
Emission Type Figures Used on Close Tolerance Jet Components	1	2	3	4	5	6	7	8	9	0

The carburetor specifications for the emission-controlled RF600R are as follows.

Carburetor I.D. No.	Main Jet	Needle Jet	Jet Needle	Pilot Jet	Pilot Screw
21E5 (California model only)	#107.5	0-8	5E95	#10	PRE-SET DO NOT ADJUST
21E4	#112.5	0-9	5E97	#15	

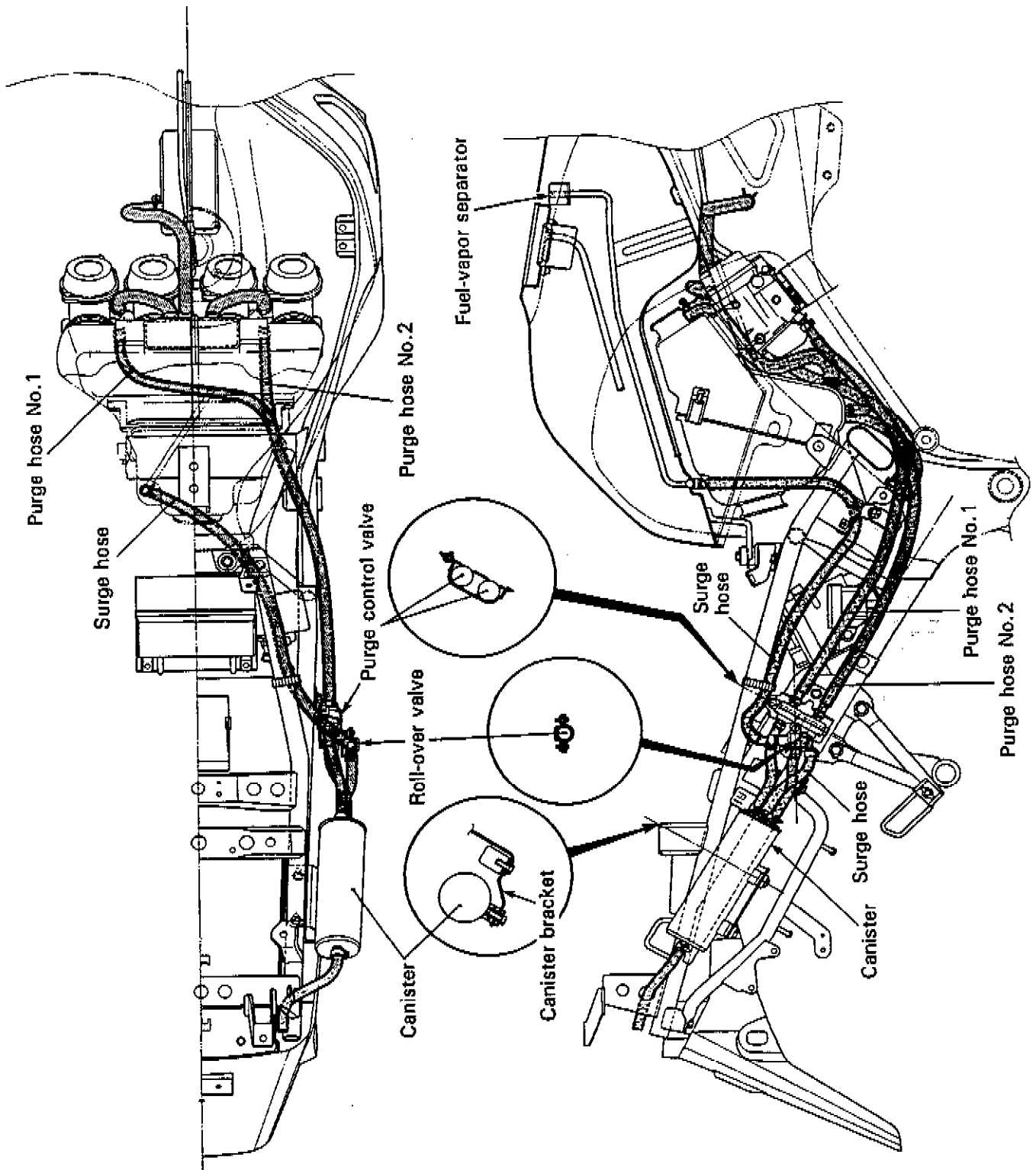
The pilot screw is pre-set by the factory utilizing specialized testing and adjusting procedures. The pilot screw is not adjustable as the idle circuit is "sealed" after factory adjustment. Adjusting, interfering with, improper replacement, or resetting of any of the carburetor components may adversely affect carburetor performance and cause the motorcycle to exceed the exhaust emission level limits. If persons, who are unaware of these special carburetor servicing requirements tamper with the carburetors the Suzuki dealer should restore the carburetors to their original condition or if unable to effect repairs, contact the distributors representative for further technical information and assistance.

EVAPORATIVE EMISSION CONTROL SYSTEM (Only for California model)

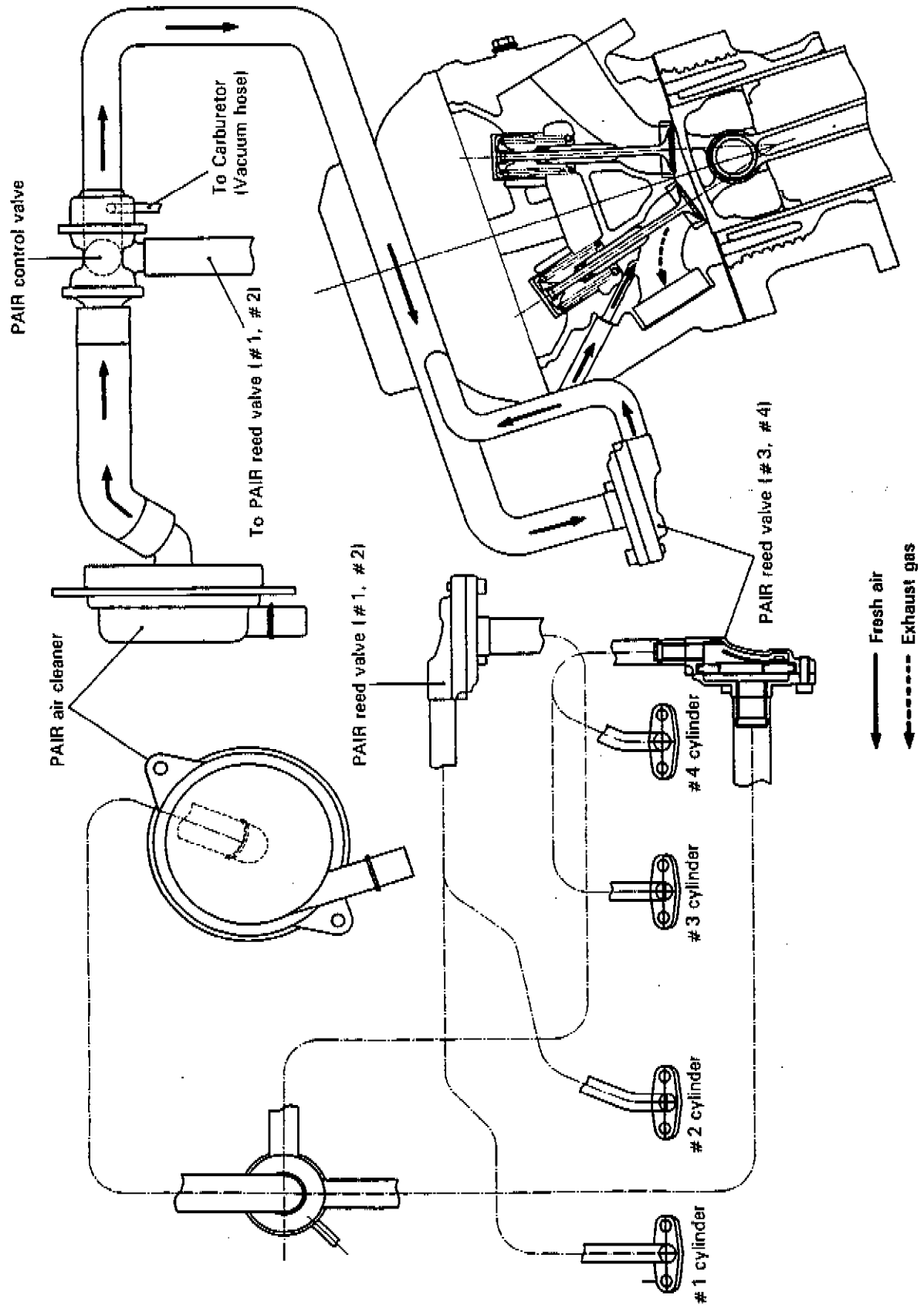


9-3 EMISSION CONTROL INFORMATION

CANISTER HOSE ROUTING (Only for California model)



PAIR (AIR SUPPLY) SYSTEM DIAGRAM (Only for California model)



9-5 EMISSION CONTROL INFORMATION

PAIR (AIR SUPPLY) SYSTEM HOSE ROUTING (Only for California model)

